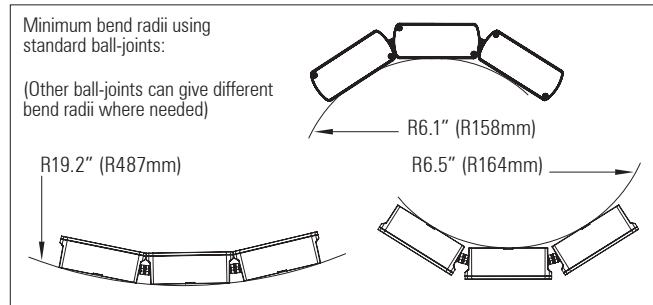
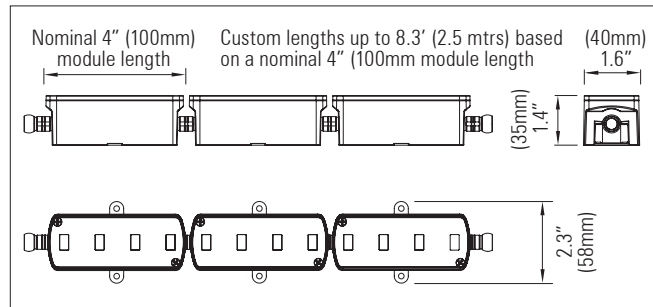


3D LED Flex 40 IP20 Class 2

8 or 12 x 0.3 Watt medium power LEDs with white reflector per module

Modular, 3D flexible LED linear lighting system



8 or 12 x 0.3 Watt medium power LEDs with white reflector per module

Modular, 3D flexible LED linear lighting system

Product description:

For use in interior indirect cove lighting applications where the building surfaces are non linear with curved profiles

Each module - 8 or 12 x 0.3 Watt Osram, Samsung or Luminus LEDs

Up to 5 Watts per 4" (100mm) module. 30 Volt DC supply

High efficiency white reflector

Flexible in 3 dimensions - Articulated ball-joint system between modules

LED pitch is maintained between the modules

Side, back and end power feed and connector options allow for continuous lighting with no dark areas between fixtures. 16 Amp IP20 connectors join fixtures together on-site

Integral LV constant current driver

Dimming options available: 1-10V, DMX and DALI. Separate dimming channel

Various LED colour temperature and CRI options available

Satin black, satin white or any RAL paint colour finish

Custom lengths based on a 4" (100mm) module length up to 8.3' (2.5 mtrs)

Various mounting options and bracket types are available

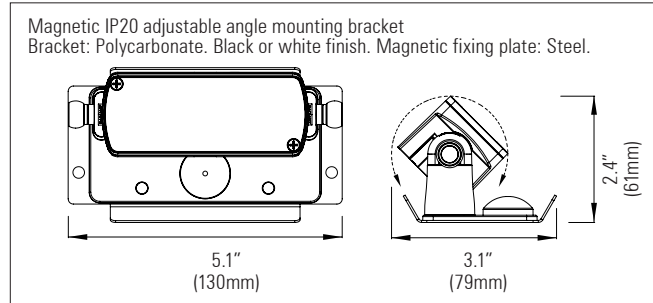
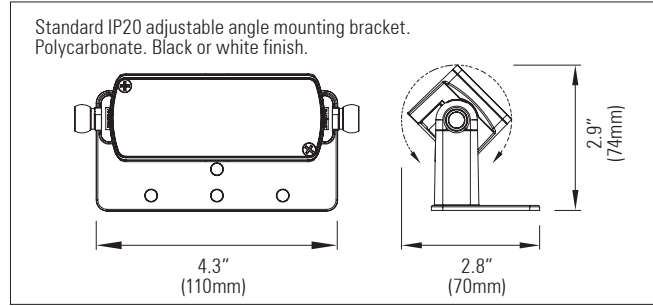
Up to 1,500 lumens per ft
(Up to 5,000 Lumens per Mtr)

| Product Code | No. of LEDs | IP | Length | LED Type | Optics (°) | Colour Temp. (K) | CRI | Cover | Feed | Finish |
|-----------------------------------|---|----|-----------------|---|------------|---|----------|------------------|---------------------|----------------------------------|
| RAD 3D LED FLEX 40 IP20 0.3W - 8 | 8 LEDs per 4" (100mm) module: 1" (25mm) pitch between arrays | 20 | 4" (100mm) | 0.3W LEDs: Osram Samsung Luminus | 110° | 18=1,800k 22=2,200k 27=2,700k 30=3,000k 35=3,500k 40=4,000k 45=4,500k 50=5,000k Dynamic white Warm dim | 80 90 | Clear Frosted | End Back Side | Black White Any RAL colour |
| RAD 3D LED FLEX 40 IP20 0.3W - 12 | 12 LEDs per 4" (100mm) module: 1" (25mm) pitch between arrays | | 8.3' (2.5 mtrs) | | | | | | | |

3D LED Flex 40 IP20 Class 2

8 or 12 x 0.3 Watt medium power LEDs with white reflector per module

Adjustable angle mounting bracketry



Adjustable angle mounting bracketry for 3D LED Flex 40 IP20 8 or 12 x 0.3 Watt medium power LEDs with white reflector per module

The 3D LED Flex 40 system is flexible in 3 dimensions, which allows it to follow curved building contours. Once they have been fixed to the building surface, adjustable angle brackets allow the modules to be rotated around the major axis, so that the light output can be aimed precisely.

The angle of the modules can be adjusted by hand easily on-site. The friction ball-joint system keeps the modules correctly positioned. There is also a lockable option, which allows each module to be locked in place using an Allen key once it is correctly positioned.

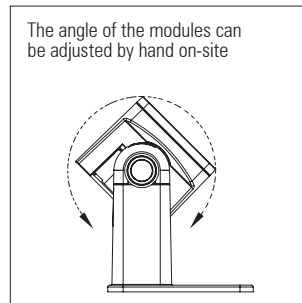
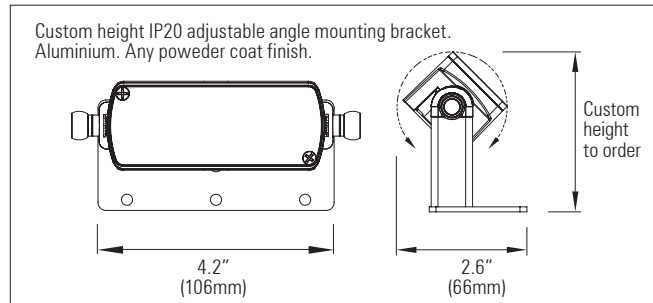
A standard height version and a custom height version are available.

Custom options are also available.

The standard height bracket is made from polycarbonate and is available in black or white.

The custom-height bracket is made from aluminium with a powder coat finish which is available in satin black, satin white or any RAL paint colour finish.

The magnetic adjustable angle bracket comprises of a polycarbonate bracket and a steel magnetic fixing plate. The polycarbonate bracket is available in black or white.

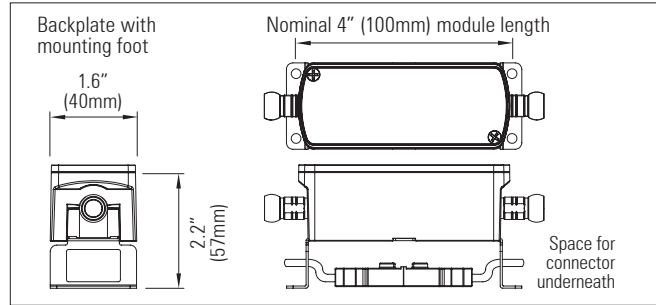
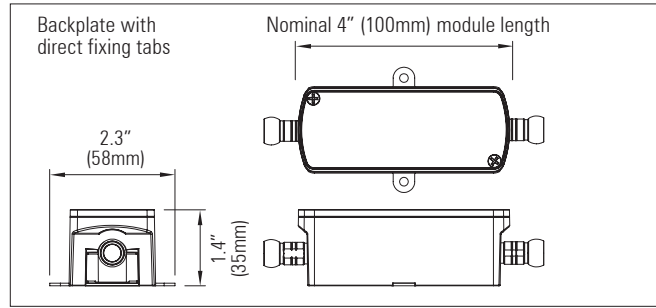


| Product code | IP | Material | Finish | Height of legs |
|---|----|--|----------------|---|
| RAD 3D LED FLEX 40 IP20 ADJUSTABLE ANGLE BRACKET STANDARD PC | 20 | Polycarbonate | Black, white | 0.8" (20mm) -increments of 0.2" (5mm) up to - 12" (305mm) |
| RAD 3D LED FLEX 40 IP20 MAGNETIC ADJUSTABLE ANGLE BRACKET | | Bracket: Polycarbonate Magnetic fixing plate: Steel | Black, white | |
| RAD 3D LED FLEX 40 IP20 ADJUSTABLE ANGLE BRACKET CUSTOM HEIGHT AL | | Aluminium | Any RAL colour | |

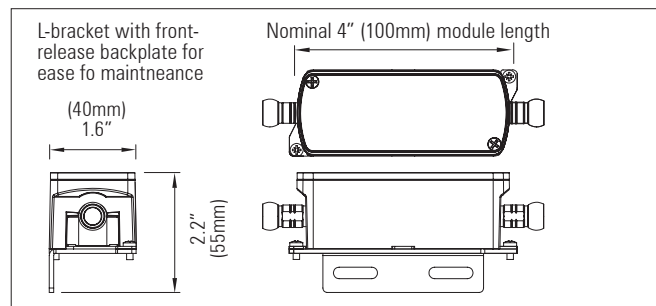
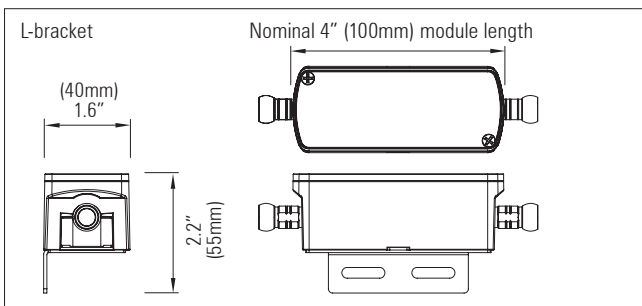
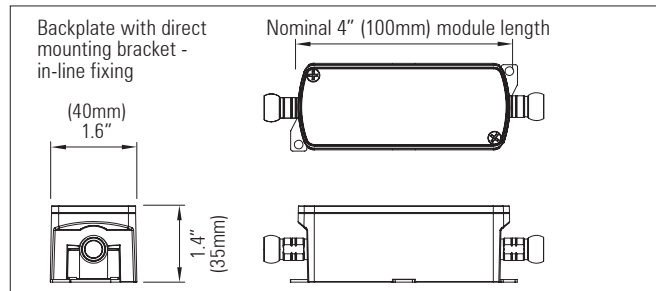
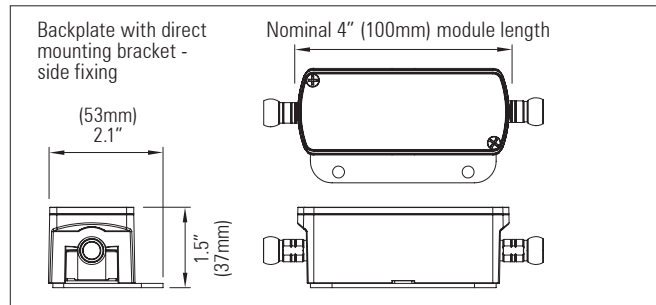
3D LED Flex 40 IP20 Class 2

8 or 12 x 0.3 Watt medium power LEDs with white reflector per module

Fixed angle mounting bracketry



| Product code | IP | Finish |
|--|----|----------------------------------|
| RAD 3D LED FLEX 40 IP20 FIXED ANGLE BRACKET DIRECT FIXING TABS | 20 | Black White Any RAL colour |
| RAD 3D LED FLEX 40 IP20 FIXED ANGLE BRACKET WITH MOUNTING FOOT | | |
| RAD 3D LED FLEX 40 IP20 FIXED ANGLE BRACKET SIDE FIXING | | |
| RAD 3D LED FLEX 40 IP20 FIXED ANGLE BRACKET IN-LINE FIXING | | |
| RAD 3D LED FLEX 40 IP20 FIXED ANGLE L-BRACKET FRONT RELEASE | | |
| RAD 3D LED FLEX 40 IP20 FIXED ANGLE L-BRACKET | | |



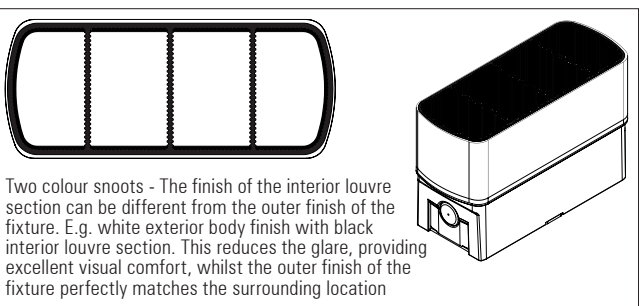
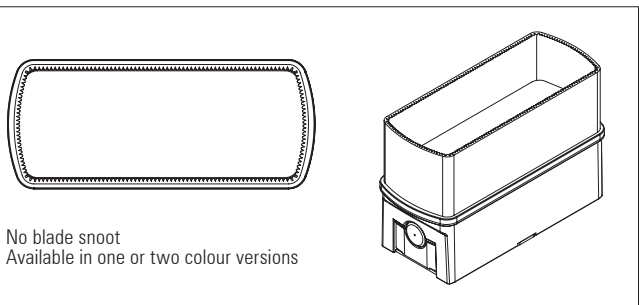
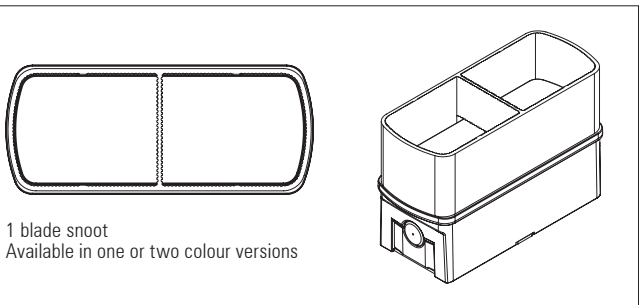
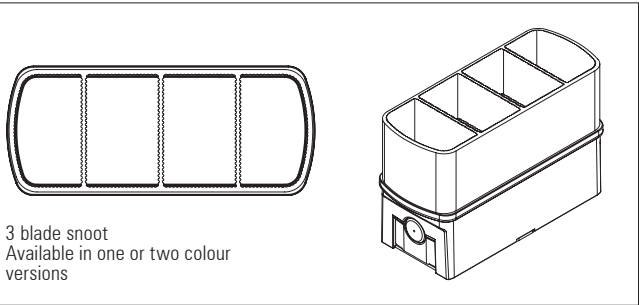
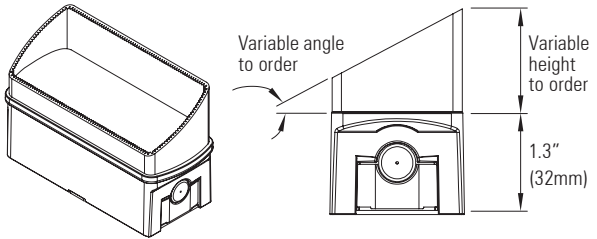
3D LED Flex 40 IP20 Class 2

8 or 12 x 0.3 Watt medium power LEDs with white reflector per module

Anti-glare accessories



All snoots can be ordered to custom heights and can be given an angled side profile



3D LED FLEX 40 anti-glare accessories

For use with the 3D LED Flex 40 system IP20 to control light glare from the LEDs when the fixtures are not fully recessed

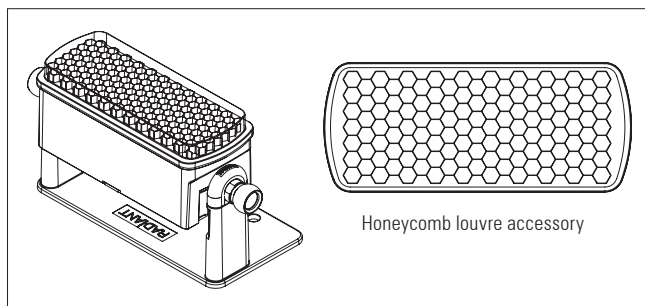
3 blade, 1 blade and no blade snoots are available

Satin black, satin white or any RAL paint colour finish. Two colour versions are also available - eg. white finish on exterior & black finish on interior of snoot. Both interior and exterior parts can be any RAL colour paint finish, or any anodised finish

Custom height to order. Straight or any custom cut angle side-profile to order

The honeycomb louvre accessory provides excellent glare control with a low profile

| Product Code | No. of blades | IP | Height | Cut angle of side-profile (°) | Finish |
|-------------------------------|---------------|----|---|---------------------------------------|---|
| RAD 3D LED FLEX 40 SNOOT | 0 1 3 | 20 | 0.8" (20mm) -increments of 0.2" (5mm) up to - 12" 305mm) | 0° -increments of 5° up to- 75° | Black White Any RAL colour Two colour - both parts can be any anodised or any RAL colour |
| RAD 3D LED FLEX 40 HONEY-COMB | NA | 20 | NA | NA | Black |



Product description:

Radiant's 3D LED Flex 40 system comprises a patented articulated ball-joint system which links the heatsink modules.

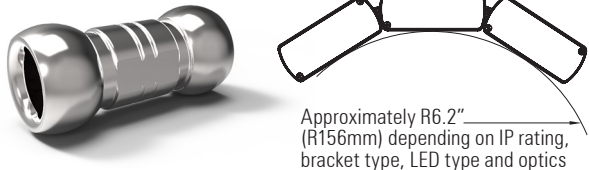
The ball-joints system allows the strips to bend and twist in 3 dimensions, so that they can follow any building contours, whilst maintaining a constant LED pitch.

There are various types of ball-joint to suit different applications, some of which can be seen on this data sheet. Please contact Radiant to discuss custom solutions.

| Product Code | Material | Length |
|---|---------------------|--|
| STANDARD BALL-JOINT BALL-JOINT STRAIGHT BRACKET BALL-JOINT BRACKET TIGHT BEND BALL-JOINT CURVED BRACKET BALL-JOINT TIGHT BENDS BALL-JOINT LONG | Nickel-plated brass | For longer ball-joint only: 3.9" (100mm) 7.9" (200mm) 11.8" (300mm) Custom lengths |
| BALL-JOINT IN LINE FIXING | Stainless steel | |

Standard ball-joint

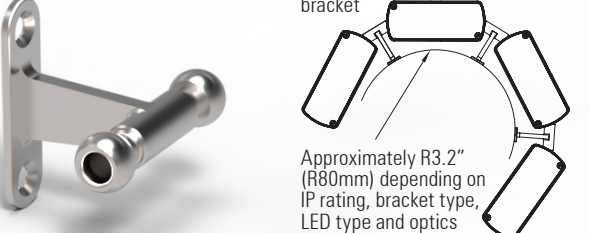
Minimum bend radius for 3D LED Flex 40 using standard ball-joints



Approximately R6.2" (R156mm) depending on IP rating, bracket type, LED type and optics

Ball-joint with straight bracket

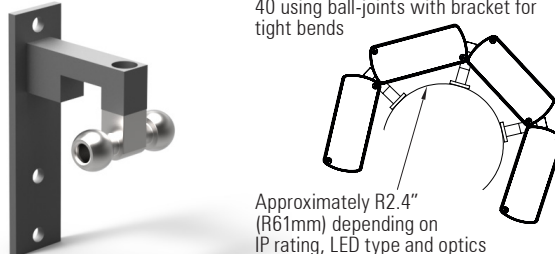
Minimum bend radius for 3D LED Flex 40 using ball-joints with straight bracket



Approximately R3.2" (R80mm) depending on IP rating, bracket type, LED type and optics

Ball-joint with bracket for tight bends

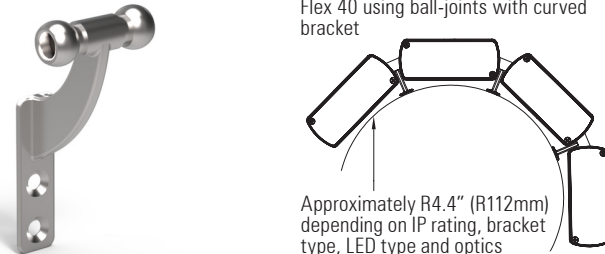
Minimum bend radius for 3D LED Flex 40 using ball-joints with bracket for tight bends



Approximately R2.4" (R61mm) depending on IP rating, LED type and optics

Ball-joint with curved bracket

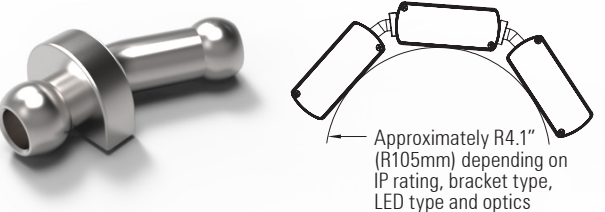
Minimum bend radius for 3D LED Flex 40 using ball-joints with curved bracket



Approximately R4.4" (R112mm) depending on IP rating, bracket type, LED type and optics

Ball-joint for tight bends

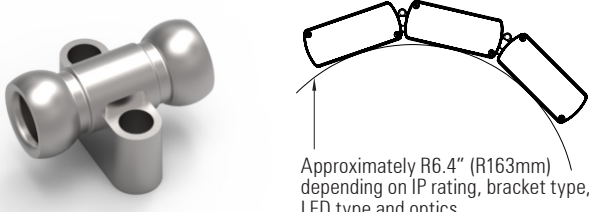
Minimum bend radius for 3D LED Flex 40 using ball-joints for tighter bends



Approximately R4.1" (R105mm) depending on IP rating, bracket type, LED type and optics

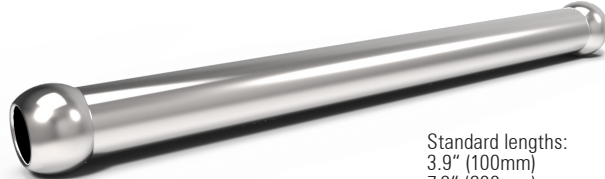
Ball-joint with in-line fixing bosses

Minimum bend radius for 3D LED Flex 40 using ball-joints with inline fixing bosses



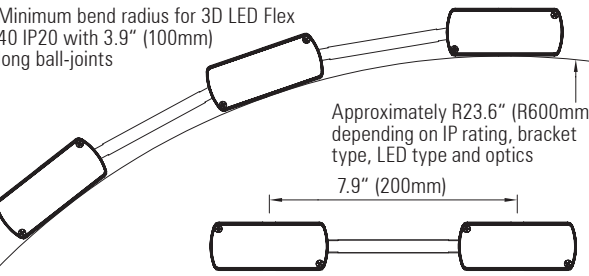
Approximately R6.4" (R163mm) depending on IP rating, bracket type, LED type and optics

Longer ball-joint



Standard lengths:
3.9" (100mm)
7.9" (200mm)
11.8" (300mm)
(Custom lengths to order)

Minimum bend radius for 3D LED Flex 40 IP20 with 3.9" (100mm) long ball-joints



Approximately R23.6" (R600mm) depending on IP rating, bracket type, LED type and optics

7.9" (200mm)